

BNK 6



Flexible top arbor circular saw unit
for universal applications

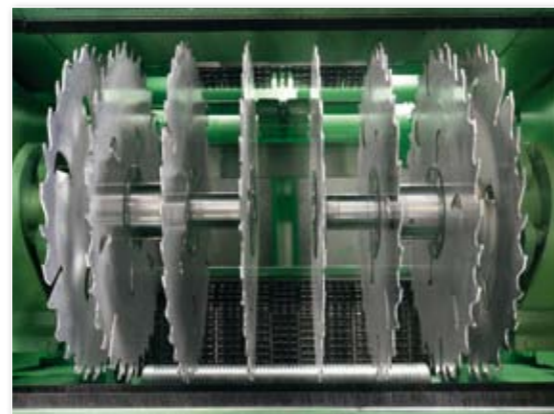
Flexible top arbor circular saw unit
for universal applications



BNK 6 outfeed side

The mechanics

The saw arbors are adjustable in height to adapt the machine to different modes of operation. They can be lifted to even clear the lumber. The edger/gang BNK is fitted with two top-mounted, moveable saw arbors. They hold each one saw box saw, one telescopic moving saw and one saw sleeve of 115 mm useable length. The width adjustment is done by servo-hydraulic networks.

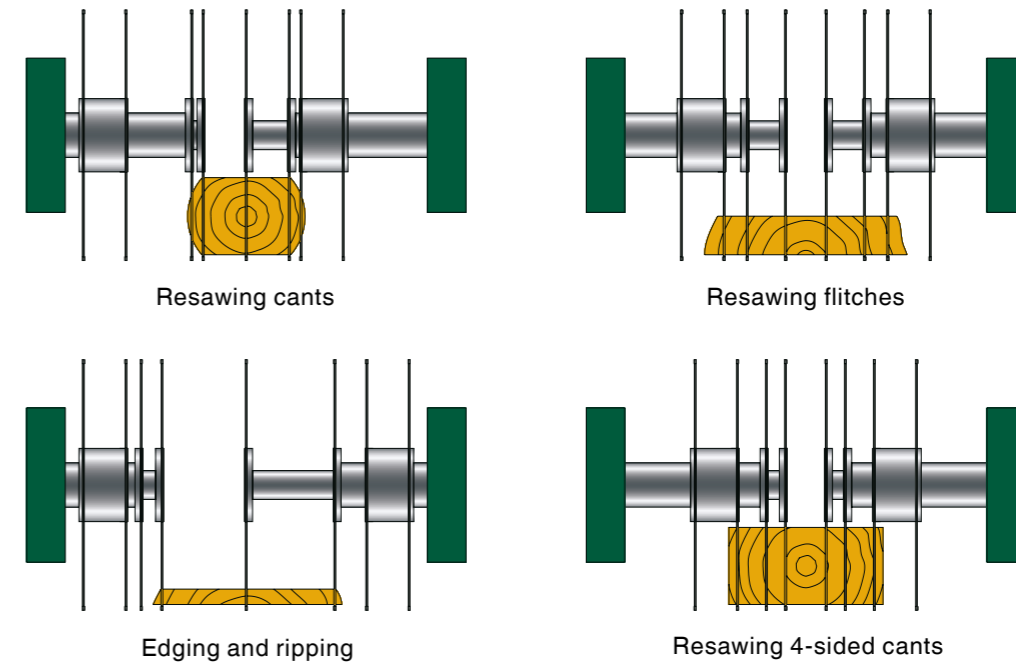


Top view on saw arbor units

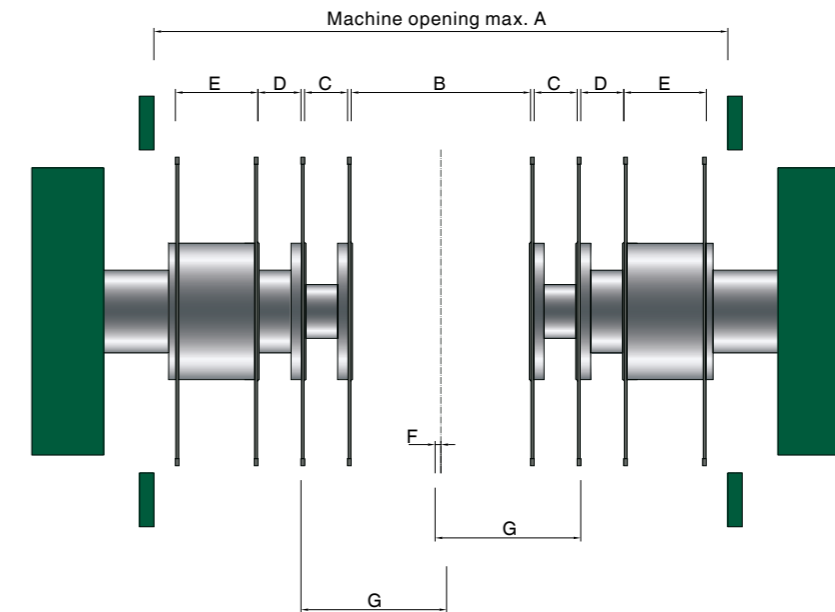
Circular saw unit for all resaw applications

For sawing heights from 17 - 225 mm

Application examples



Saw set distances (mm) - BNK 6/800 and BNK 6/1000



BNK 6/800 (in mm)

A : 800	E* : 115
B : 18 - 655	F : 8
C : 18 - 205	G : 360
D : 18 - 143	* Fixed Sawblades

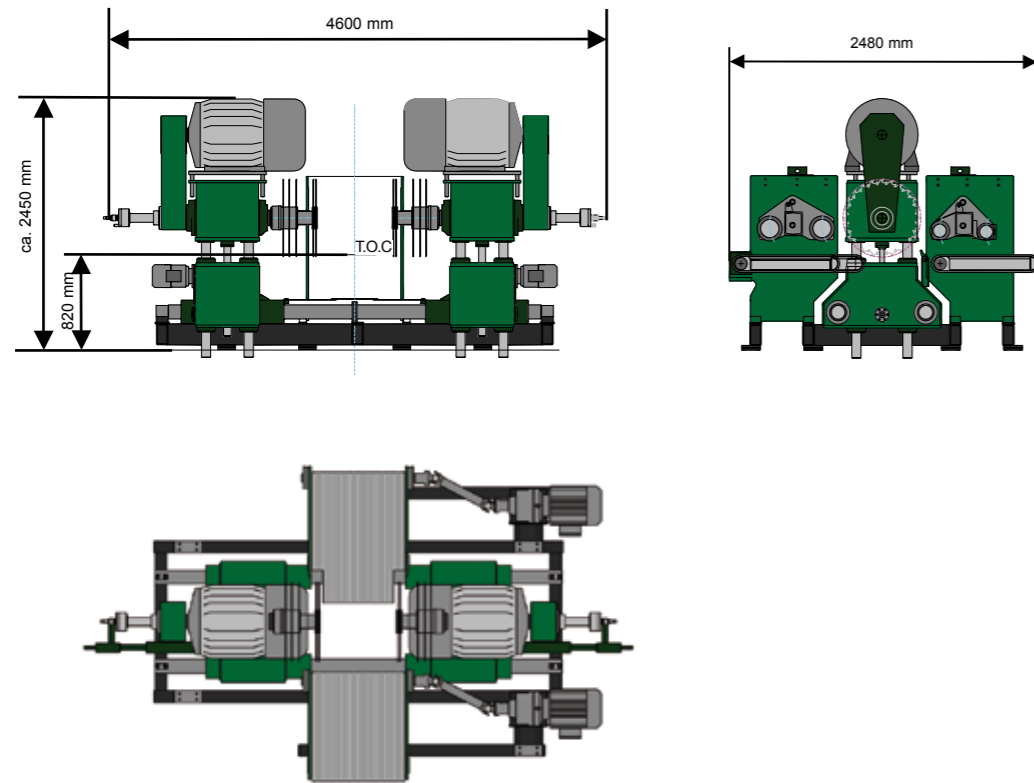
BNK 6/1000 (in mm)

A : 1040	E* : 115
B : 18 - 990	F : 30
C : 18 - 205	G : 560
D : 18 - 143	* Fixed Sawblades

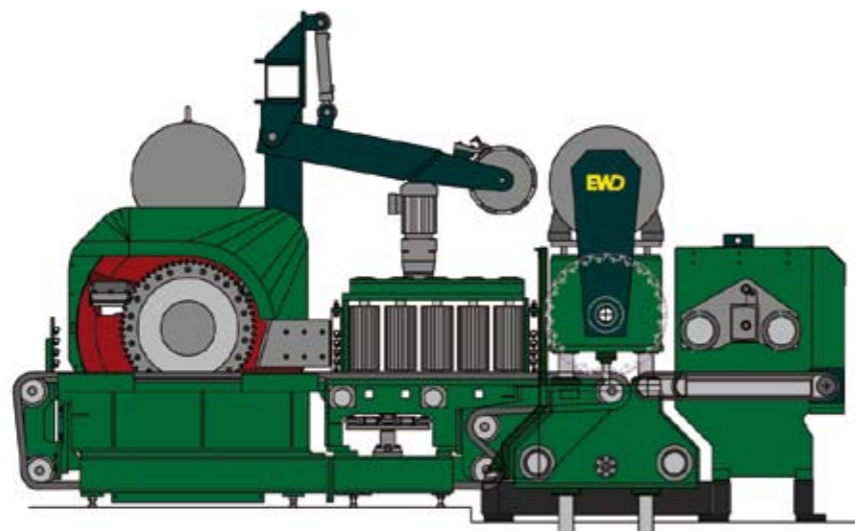
Modular design

allows installation as single machine or integration in complex saw lines.

Combination edger/gang circular saw



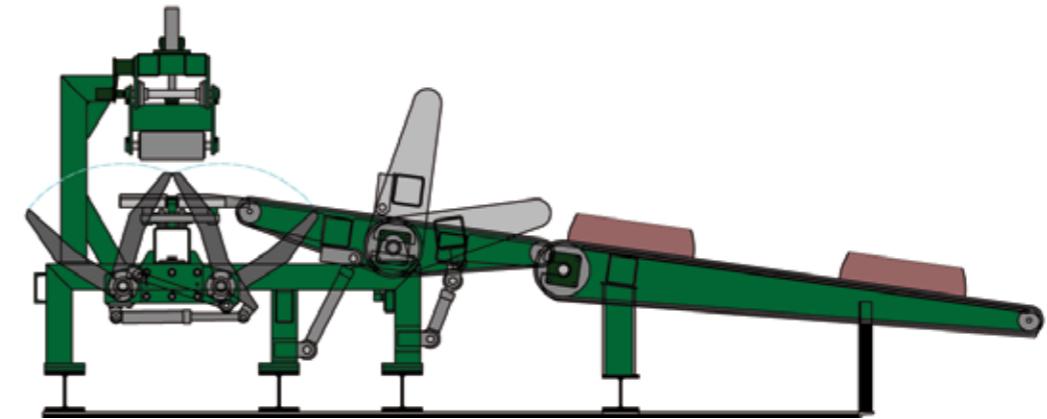
Chipper canter PF 19 with cant infeed system and circular resaw BNK 6



Infeed systems

for all requirements

RZT-Infeed table



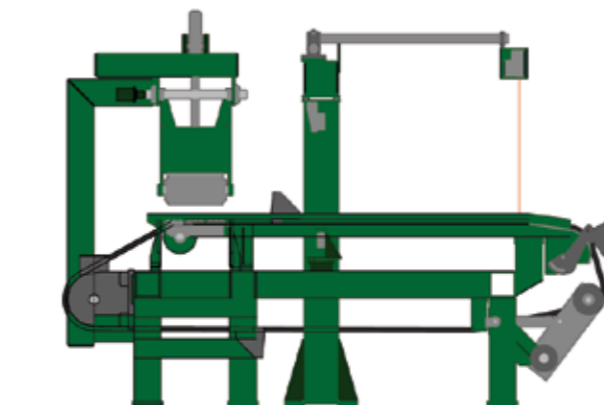
With the infeed table RZT and the saw line display system „Optiline®“, cants are aligned to optimum position by the operator with joy-stick and then fed to the BNK. With the RZT infeed table, the BNK can also process cants in centering mode only without an operator.

For cant thickness: 40-225 mm

Cant width: 80-750 mm

Piece count:
max. 6-8 pcs/min with cants of 4 m length

RTN-Infeed table



The RTN infeed table is equipped with photo-eye scanning for top/bottom open face, or optionally with laser scan heads. The cant is pushed with the individually controlled chain runs through the scanning system and without further transfer brought into the optimized sawing position.

For cant thickness: 40-225 mm

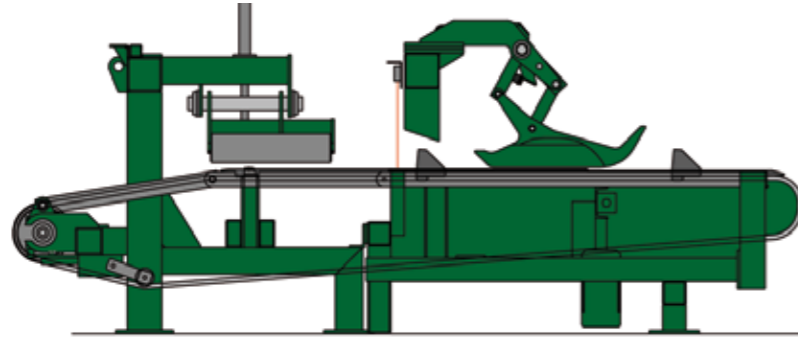
Cant width: 80-750 mm

Piece count:
max. 10-12 pcs /min with cants of 4 m length

Infeed systems

for all requirements

Combimes-Infeed table



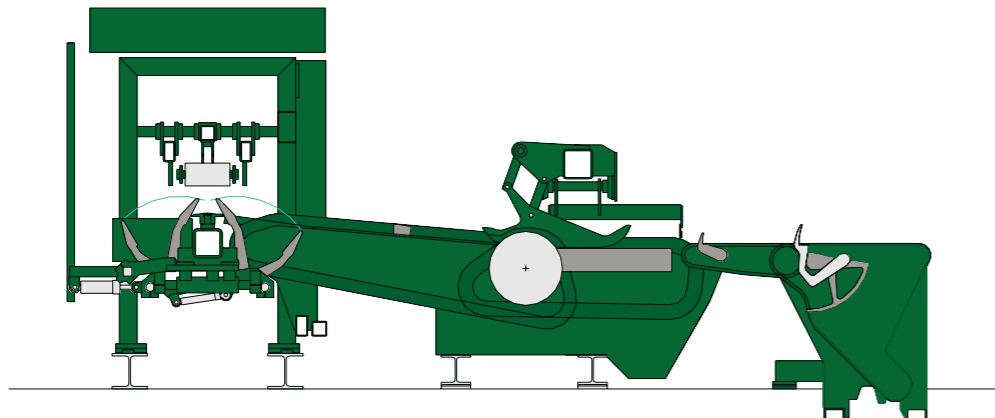
The combination edger/gang circular saw BNK-6 is available with the patented Combimes infeed table for medium piece count requirements. Laser scan heads are used to detect the wane lines and the open face. According to the stored edging programs, the optimum edging/resaw pattern is computed, the board or cant aligned by the system's cross conveyor in the calculated position and placed accordingly on the infeed chain.

For lumber thickness: 17-225 mm

Lumber width: 80-700 mm

Piece count:
max. 22 pcs/min with lumber of 4 m length

Optimes-Infeed table



For high production requirements, the combination edger/gang BNK 6 is available with the Optimes infeed table. Optical sensors in cross transfer scan the lumber contour. Lumber positioning is done either to optimum center line or for left or right side full taper. Top and bottom face are then scanned longitudinally by digital cameras and lasers continually. The lumber position remains absolutely unchanged between scanning and infeed to the BNK.

For lumber thickness: 17-225 mm

Lumber width: 60-750 mm

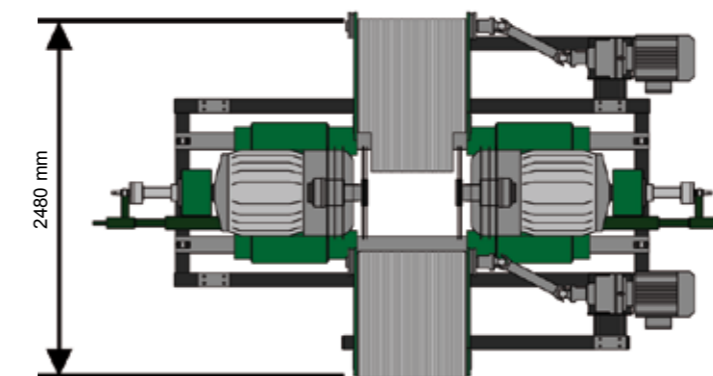
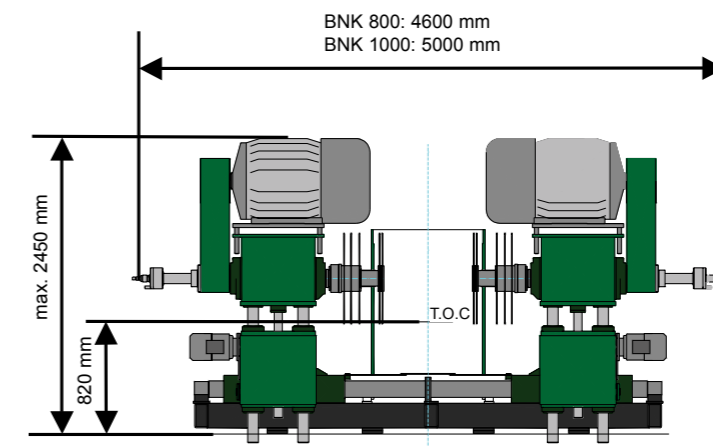
Piece count:
max. 30 pcs/min with lumber of 4 m length,
in edging mode

Technical data

Top arbor circular resaw BNK 6

Model	BNK 6		
Sawing height			
Resaw application	mm		40 - 225
Combination edger/gang	mm		17 - 225
Saw blade diameter	mm		420 - 700
Sawing height w/ Ø 420 mm	mm		80
Machine opening	mm		800, 1000
Feed speed max.	m/min.		180
Main drive motor size	kW		2x75 – 2x132 (@ 1500 rpm)
Machine weight with motors (2x132 kW)	t		approx. 10.5

Dimensions (in mm)



Due to constant product improvements or developments the illustrations and specifications contained in this brochure are subject to change without notice.

Custom-made solutions
Custom-made solutions
Custom-made solutions

Bandsaw Technology

Edger Optimizer Technology

CircularSaw & Profiling Technology

EWD

The SawLine Company™

